



LOCATION		DATE
PREPARED BY		QUANTITY
COMMENTS		FIXTURE TYPE
CATALOG NUMBER		

## LaSalle LED Outdoor Sconce LASW Series

### Features

This LED light is ideal for security and general lighting. 3 in 1 color temperature adjustable option. Decorative metal accents. Provides lighting in residential, commercial, and hospitality applications. Fixture mounts to standard junction box (not included).

### Construction

Standard mounting holes and hardware are included. Power supply connections must be made inside a junction box (not included).

### Finish

Textured grey or textured bronze powder coated finish.

### Diffuser

Diffuser is .100" thick matte white acrylic.

### Electrical

This unit is direct wired with a low voltage electronic LED driver. The constant current LED driver is rated for 120-277 VAC input, 0-10V dimmable. Minimum starting temp -20°F.

### Lamping

Fixture includes LED modules capable of producing:  
 17" - 24W, 2800 source lumens  
 28" - 28W, 3300 source lumens  
 3000K, 3500K, 4000K Adjustable (CCT). Rated for 50,000 Hrs. 90 CRI.

### Certification

All fixtures are cETLus listed for wet locations. ADA

### Warranty

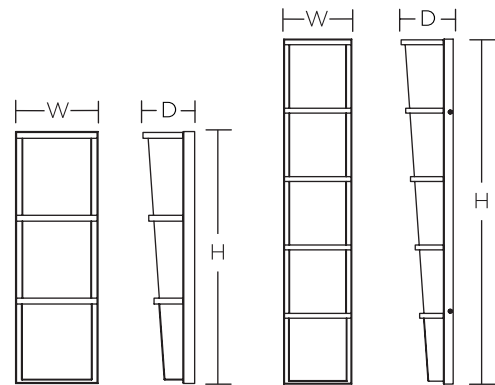
Limited warranty: This fixture is free from defects in materials and workmanship for a period of 5 years from date of purchase.

**Specifications and dimensions  
subject to change without notice.**



17"

28"



17"

28"

## Ordering Information:

	LED	Source Lumens	CCT	H	W	D
<b>Textured Grey</b>						
LASW051728LAJD2TG	24W	2800	3000K/3500K/4000K	17"	5-1/2"	3-3/8"
LASW052833LAJD2TG	28W	3300	3000K/3500K/4000K	28"	5-1/2"	4"
<b>Textured Bronze</b>						
LASW051728LAJD2BZ	24W	2800	3000K/3500K/4000K	17"	5-1/2"	3-3/8"
LASW052833LAJD2BZ	28W	3300	3000K/3500K/4000K	28"	5-1/2"	4"