

LED Outdoor Luminaires Ceiling Mount 120-277VAC / 60Hz

Model # BMF0816LAJD2xx
BMF1228LAJD2xx

Safety Precautions

- Read all safety precautions and installation instructions carefully before installing or servicing this fixture. Failure to comply with these instructions could result in potentially fatal electric shock and/or property damage.
 - It is recommended that a qualified electrician perform all wiring. This fixture must be wired in accordance with all national and local electrical codes.
 - Do not handle any energized fixture or attempt to energize any fixture with wet hands or while standing on a wet or damp surface or in water.
 - This fixture is designed for use in a 120-277VAC, 60Hz fused circuit. This fixture is compatible with 0-10V dimmers.
 - Make sure that the power source conforms to the requirements of the fixture. (See labels on the fixture housing).
 - To reduce the risk of electrical shock, and to assure proper operation, this fixture must be adequately grounded. To accomplish proper grounding, there must be a separate ground wire (green) contact between this fixture and the ground connection of your main power supply panel.
 - This fixture is intended to be used for general indoor or outdoor lighting in dry, damp or wet locations. For wet locations, fixture must be mounted at least 48 inches above ground level.
 - Disclaimer
Changes or modifications not expressly approved by the party responsible for compliance could void the user's authority to operate the equipment. NOTE: This equipment has been tested and found to comply with the limits for a Class B digital device, pursuant to Part 15 of the FCC Rules and Canadian ICES-005 (B) / NMB-005 (B). These limits are designed to provide reasonable protection against harmful interference in a residential installation. This equipment generates uses and can radiate radio frequency energy and, if not installed and used in accordance with the instructions, may cause harmful interference to radio communications. However, there is no guarantee that interference will not occur in a particular installation. If this equipment does cause harmful interference to radio or television reception, which can be determined by turning the equipment off and on, the user is encouraged to try to correct the interference by one or more of the following measures:
 - Reorient or relocate the receiver antenna.
 - Increase the separation between the equipment and receiver.
 - Connect the equipment into an outlet on a circuit different from that to which the receiver is connected.
 - Consult with the dealer or an experienced radio/TV technician for help.
- Any modifications to this fixture may void the warranty and interfere with the safe operation of the luminaire. Operation is subject to the following two conditions: (1) this device may not cause interference, and (2) this device must accept any interference, including interference that may cause undesired operation of the device.

Assembly Instructions

1. Preparing for installation.

- Disconnect electrical power before installing or servicing any part of this fixture.
- Remove fixture from carton; remove components from hardware kit.
- Separate fixture ceiling pan (6), mounting bracket (3) and fixture diffuser (8).
- Install mounting bracket (3) to junction box (not included) with two #8-32 screws (5).

2. Color Changing Temperature Adjustment, CCT (if desired).

- Adjust the single dipswitch at the end of the LED board accordingly to the desired color temperature as shown per FIG 1. Choose 3000K, 3500K or 4000K **Note:** Fixture is preset to 3500K from factory.

3. Wiring.

All wiring must take place inside junction box (not included). Caution: Make sure power is off at fuse or circuit breaker box. Check power wires for damage or scrapes. If the power supply wires are within three inches of the driver, use a wire suitable for at least 90C (194F). **Note:** Most dwellings built before 1985 have supply wire rated to 60C. Consult a qualified electrician before installing.

- This unit will not operate properly unless connected to a "grounded" electrical circuit. Electrical shock, overheating, low or no light output, and shortened LED life can result if proper grounding is not done. Securely attach power source ground wire and fixture ground wire to green ground screw on rectangular mounting bracket.
- Make all wire connections to appropriate wire. Secure with wire nuts (provided).
- For none-dimming fixture.** Fixture will operate normally w/o connection to any dimmers. Connect white fixture lead to white (N) wire from supply power source. Connect black fixture lead to black (L) wire from supply power source. Make sure to cap gray and purple wires separately to prevent shorting.
- For 0-10V dimming.** Connect gray wire from the fixture to the dimmer source gray wire. Connect purple wire from the fixture to the dimmer source purple wire. Connect white fixture lead to white (N) wire from dimming source per dimmer wiring instructions. Connect black fixture lead to black (L) wire from dimming source per dimmer wiring instructions.
- Do not mix wires.** Pull on each wire lead to make sure connections are secure. Make certain no bare wires are exposed outside of wire connectors. Tuck all connections neatly into junction box.

4. Pan Mounting.

- Install fixture ceiling pan (6) to mounting bracket (3) by aligning to two studs (2) then secure with two barrel nuts (7).

5. Diffuser installation.

- Install diffuser frame (8) to the ceiling pan (6) by aligning side holes then secure with M4 screws (9). Note: 8" fixture use 2 screws and 12" fixture use 3 screws to secure to the pan.

6. For Wet Location Use:

- Apply a small amount of silicone (not included) per manufacturer's instruction around screws (9) and around the diffuser frame (8) where it contacts with the surface of the ceiling on all sides.

7. Power to the fixture can now be restored.

Fig.1
CCT Dip Switch

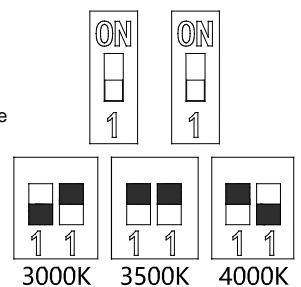
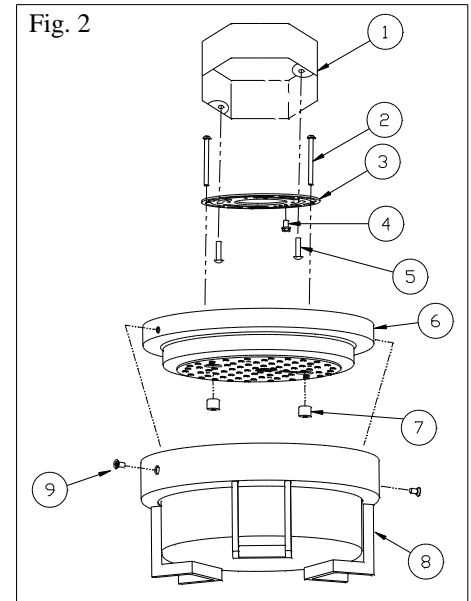


Fig. 2



Limited Factory Warranty

AFX Inc. hereby warranty that this fixture is free from defects in materials and workmanship when installed and used under normal operating conditions for a period of 5 years from date of shipment from factory. This warranty covers all component parts and extends only to replacement of defective fixture or components; it does not cover failure due to improper installation, misuse, mishandling or damage incurred in transit.