

Safety Precautions

Read all safety precautions and installation instructions carefully before installing or servicing this fixture. Failure to comply with these instructions could result in potentially fatal electric shock and/or property damage.

It is recommended that all wiring be performed by a qualified electrician. This fixture must be wired in accordance with all national and local electrical codes.

Do not handle any energized fixture or attempt to energize any fixture with wet hands or while standing on a wet or damp surface or in water.

Make sure that the power source conforms to the requirements of the fixture (see labels on fixture housing).

To reduce the risk of electrical shock, and to assure proper operation, this fixture must be adequately grounded. To accomplish proper grounding, there must be a separate ground wire (green) or bare metal contact (metal conduit) between this fixture and the ground connection of your main power supply panel. The green ground screw location is clearly marked on the fixture housing.

This fixture is intended to be used for general indoor lighting in dry or damp locations only.

Assembly Instructions

1. Preparing for installation

- Disconnect electrical power** before installing or servicing any part of this fixture
- Remove fixture and hardware bag from carton

2. Wiring

All wiring must take place inside junction box. Caution: Make sure power is off at fuse or circuit breaker box. Check power wires for damage or scrapes. If power supply wires are within three inches of ballast use wire suitable for at least 90C (194F). **Note:** Most dwellings built before 1985 have supply wire rated to 60C. Consult a qualified electrician before installing.

- This unit will not operate properly unless connected to a “grounded” electrical circuit. Electrical shock, overheating, low or no light output, and shortened LED life can result if proper grounding is not done. Securely attach green (or green and yellow) wire to ground supply wire.
- Using wire connectors (provided), connect white (common) supply wire to white fixture lead. Connect black (hot) supply wire to black fixture lead. **Do not mix wires.** Pull on each wire lead to make sure connections are secure. Make certain no bare wires are exposed outside of wire connectors. **Note:** fixtures with universal voltage power supplies are pre-wired with a disconnect. Refer to the included guide for using the disconnect.

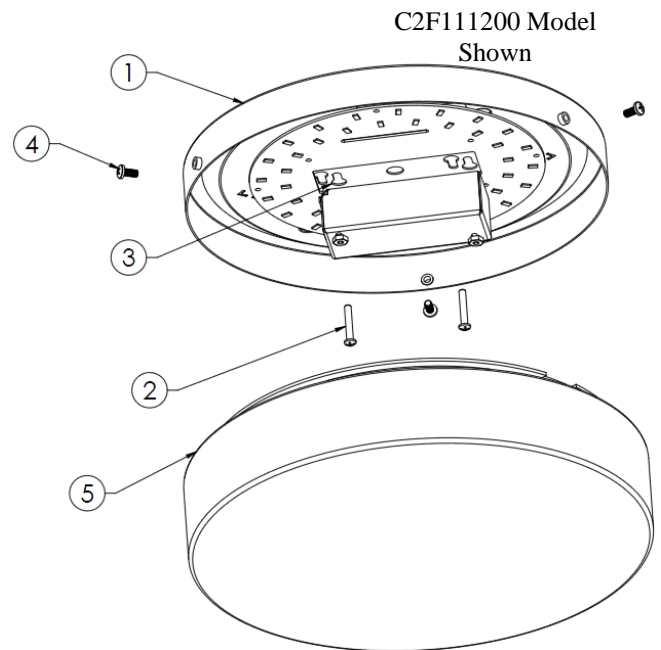
3. Mounting fixture

- Mount ceiling pan (1) to junction box with the two #8-32 x 7/8” screws (2 - provided) through keyhole slots (3)

4. Mounting diffuser

- Thread the three thumb screws (4) partially into the three threaded standoffs in the ceiling pan
- The diffuser (5) has three notches in the outer flange. Align these notches with the three thumb screws on the ceiling pan, and push the diffuser up against the ceiling pan
- Rotate the diffuser slightly, and hand tighten the three thumb screws equally on all sides. Do not over tighten

5. Power to the fixture can now be restored



Limited Factory Warranty

AFX Inc. hereby warranty that this fixture is free from defects in materials and workmanship when installed and used under normal operating conditions for a period of 5 years from date of purchase. This warranty covers all component parts and extends only to replacement of defective fixture or components; it does not cover failure due to improper installation, misuse, mishandling or damage incurred in transit.